

DIVISION TWELVE

Twigz Rectangular Table Assembly Instructions

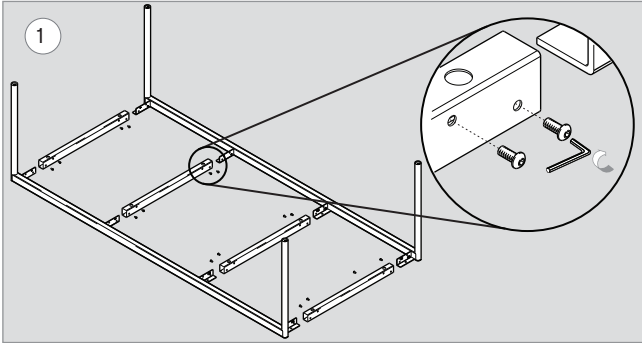
Tool Required
5/32" Hex Allen Key

Hardware Included

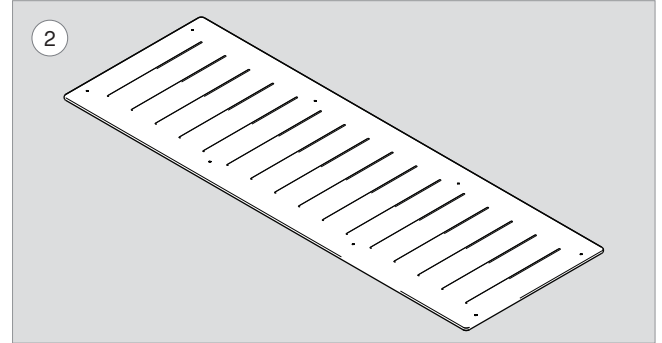
1/4-20 x 1/2"
Button head cap screw
(x16)

1/4-20 x 1/2"
Flange button head
cap screw (x8)

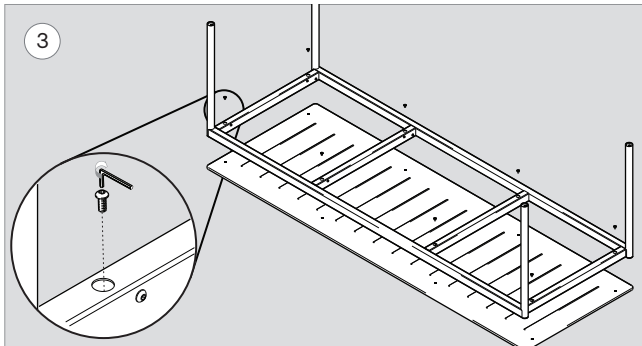
Glide (x4)



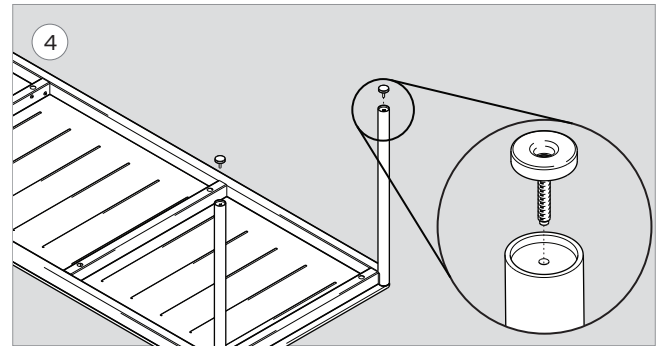
Using the 5/32" hex key, fasten the cross tube (x4) to the table leg (x2) with 1/4 - 20 x 1/2" button head cap screw (x16).



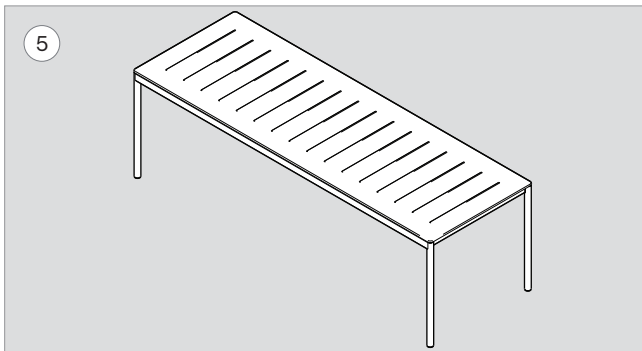
Place the table top upside down on a blanket.



Using the 5/32" hex key, fasten the table base sub assembly to the table top with 1/4 - 20 x 1/2" flange button head cap screw (x8).



Screw the glide (x4) into each table leg.



Proceed to flip the table into its final position.